

D3.AL1



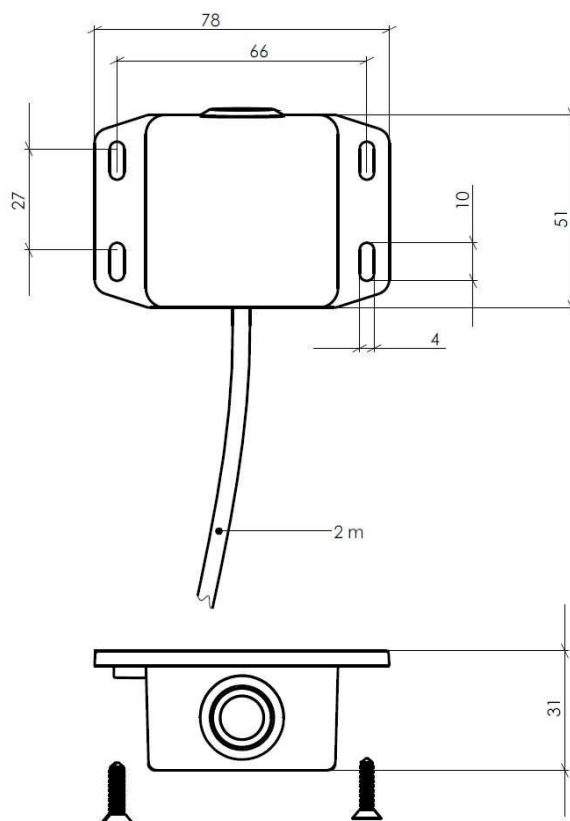
2009.06 (eng)

Illuminated control switch for alarm closing

Robust control switch with illuminated emergency button. The switch has an aluminium casing with a powder coated paint finish. The control switch is screwed in under the counter or desk, creating a neat, hidden installation. The control switch is easily located in a stressful situation thanks to the illuminated button. The illumination also indicates that the switch is connected to the control system and that the system is powered. The button has a distinct feeling when pressed. A raised ring around the button minimizes the risk of accidentally pressing the button.



DESIGN



TECHNICAL INFORMATION

NAME	D3.AL1
DESCRIPTION	Illuminated control switch for alarm closing
CONTROL SYSTEM	Compatible with the S3 control system (please note that the control system must be configured for alarm closing activated by control switch)
FUNCTION	According to the configuration of the control system (the control switch is normally used to activate alarm closing)
MATERIAL	Powder coated aluminium casing with pushbutton in stainless steel
COLOUR	Casing in manganese metallic, pushbutton with red illumination
MANUFACTURED BY	Svalson AB, Sweden

Design and material subject to change without prior notice

