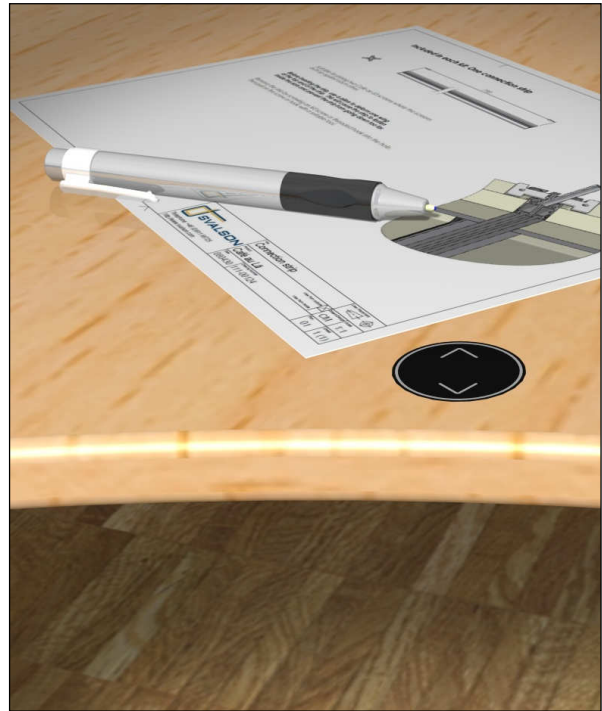
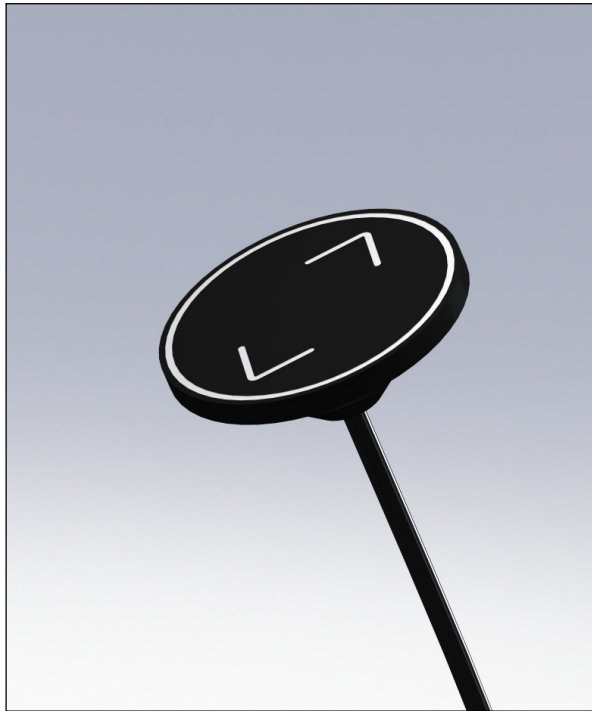


D3.DP2



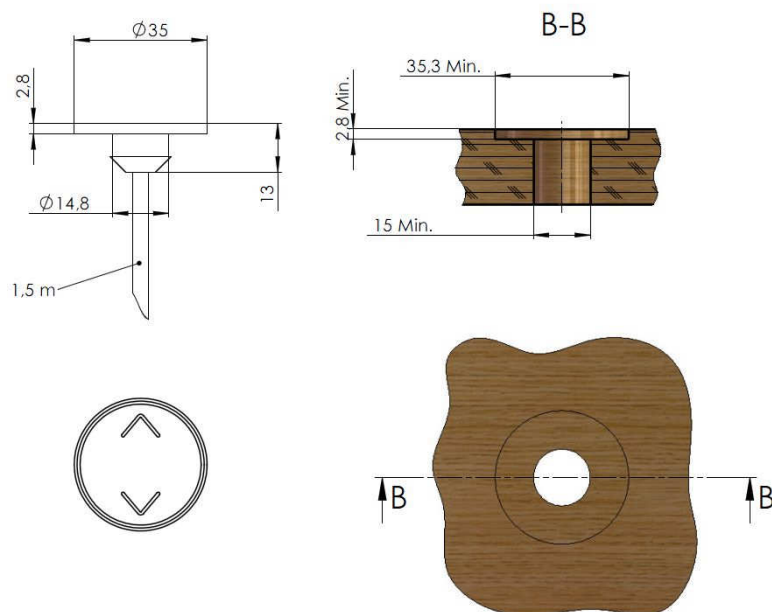
2009.21 (eng)

Control switch – flush mounting

Discrete and small size control switch suited for both horizontally sliding (left/right) and vertically sliding (up/down) windows. The control switch is designed for flush mounting into e.g. a counter or a desk, making for a tasteful installation.



DESIGN



TECHNICAL INFORMATION

NAME	D3.DP2
DESCRIPTION	Control switch – flush mounting
CONTROL SYSTEM	Compatible with the S3 control system
FUNCTION	Manoeuvring left/right or up/down
MATERIAL	Plastic casing with membrane pushbuttons
COLOUR	Black with chrome print

Design and material subject to change without prior notice

