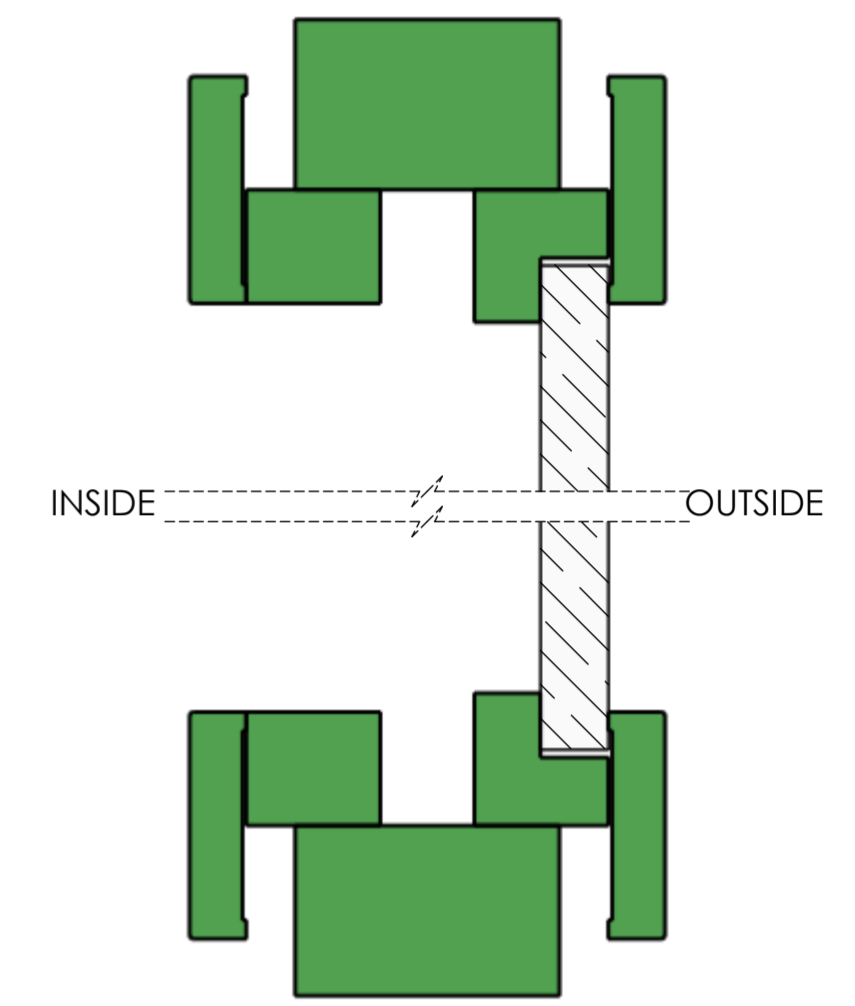
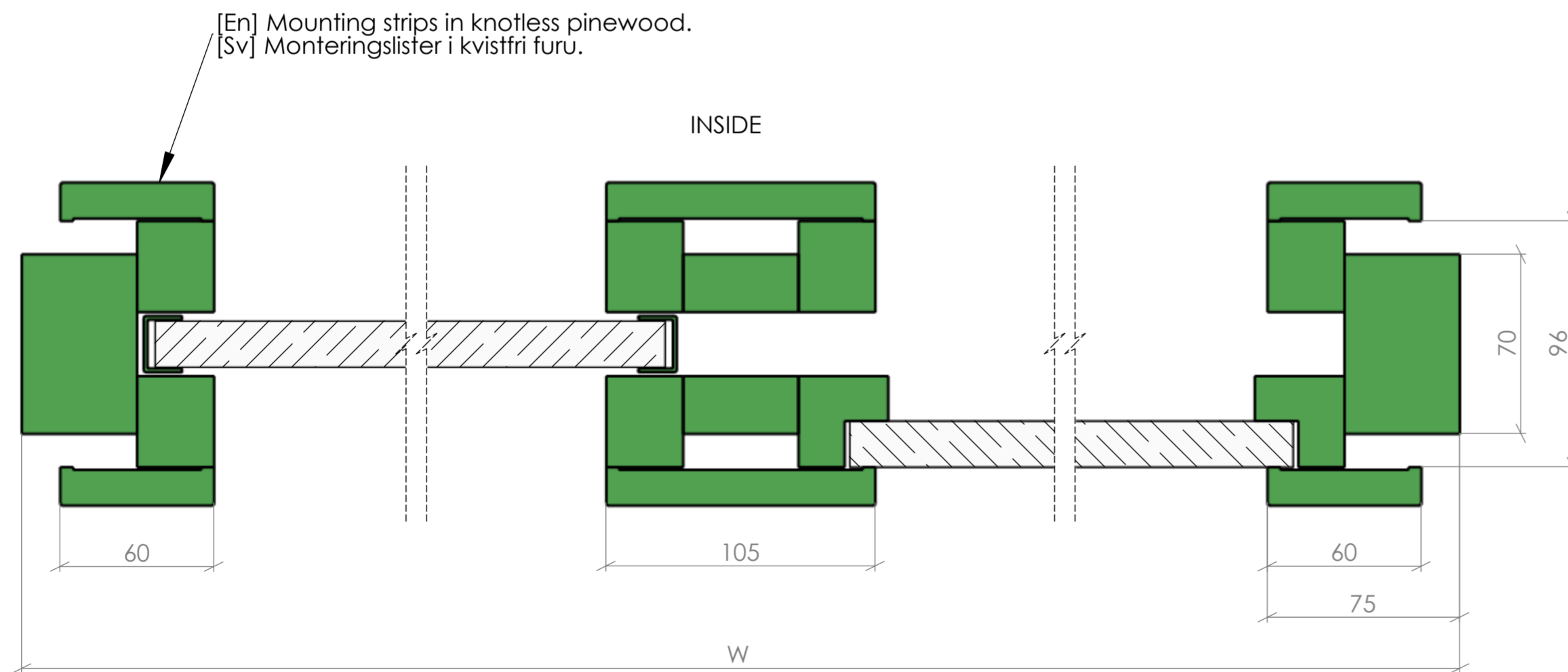


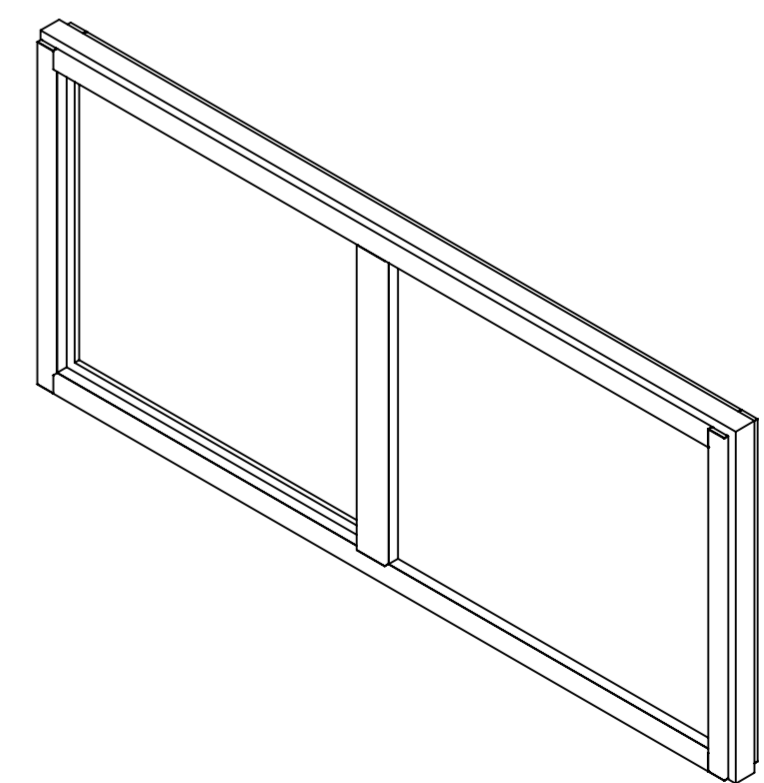
SECTION B-B
SCALE 1 : 2



SECTION C-C
SCALE 1 : 2



SECTION A-A
SCALE 1 : 2



<p>Telephone: +46 (0)911 66725 http://www.svalson.com</p>	Title	XO	View Placement	
	Product	RA	View from outside	X
	Date	150317	View from inside	
	Drawing Number	FS1.XO	Scale	1:10
	Rev.	01+	Sheet	1 (1)